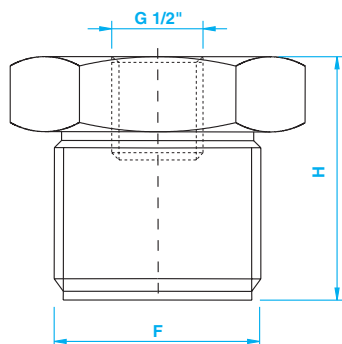


# SP5

## SEPARATORE A MEMBRANA AFFACCIATA

## SEAL WITH FLUSH DIAPHRAGM



CAMPI SCALA / RANGES [bar]	F	H
0 / 25    0 / 40    0 / 60 0 / 100   0 / 160   0 / 250	1"	44
0 / 6    0 / 10    0 / 16 0 / 25   0 / 40    0 / 60 0 / 100   0 / 160   0 / 250	1" 1/4 1" 1/2	50

ATTACCO STRUMENTO: G1/2" A UNI ISO 228/1 Femmina.

ATTACCO PROCESSO: G 1 1/4" o G 1 1/2" A UNI ISO 228/1.

MATERIALI Membrana e corpo separatore in AISI 316.

### OPZIONI

#### ESECUZIONE A DISTANZA

con capillare in AISI 316 nudo o rivestito (max. 6 – 8 metri).

ATTACCO PROCESSO: G 1 1/2" Maschio girevole (max 600 bar).

ATTACCO STRUMENTO: G 1/4" – 1/4" NPT – G 3/8" Femmina.

MEMBRANA e corpo in HASTELLOY C.

INSTRUMENT CONNECTION: G1/2" A UNI ISO 228/1 Female.

PROCESS CONNECTION: G 1 1/4" o G 1 1/2" A UNI ISO 228/1.

MATERIAL: Diaphragm and body in ss. AISI 316.

### OPTION

#### REMOTE EXECUTION

capillary in AISI 316 with or without armour (max. 6 – 8 meters).

PROCESS CONNECTION: G 1 1/2" rotating male (max 600 bar).

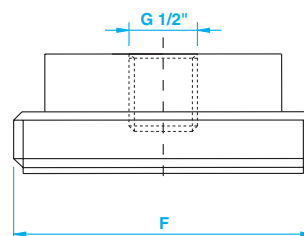
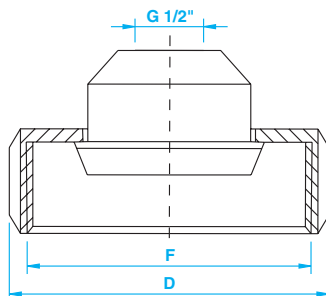
INSTRUMENT CONNECTION: G 1/4" – 1/4" NPT – G 3/8" Female.

DIAPHRAGM and body in HASTELLOY C.

# SP6

## SEPARATORE CON ATTACCO SANITARIO

## SEAL WITH SANITARY CONNECTION



ATTACCO STRUMENTO: G1/2" A UNI ISO 228/1 Femmina

ATTACCO PROCESSO: Tipo sanitario con filettature maschio o femmina secondo norme DIN 11851 e SMS.

MATERIALI Membrana e corpo separatore in AISI 316

### OPZIONI

ATTACCO STRUMENTO: G 1/4" – 1/4" NPT – G 3/8" Femmina

INSTRUMENT CONNECTION: G1/2" A UNI ISO 228/1 Female

PROCESS CONNECTION: sanitary type male or female thread according to DIN 11851 and SMS.

MATERIAL: Diaphragm and body in ss. AISI 316

### OPTION

INSTRUMENT CONNECTION: G 1/4" – 1/4" NPT – G 3/8" Female

### GIRELLA FEMMINA / COUPLING NUT

DN	PN	DIMENSIONI / DIMENSION (mm)					
		Campo scala / Range [bar]				F	D
25	40	0 / 10	0 / 16	0 / 25	0 / 40	Rd52 x 1/6	63
32	40	0 / 4 - 0 / 6 - 0 / 10 - 0 / 16 - 0 / 25 - 0 / 40				Rd58 x 1/6	70
40	40	0 / 4 - 0 / 6 - 0 / 10 - 0 / 16 - 0 / 25 - 0 / 40				Rd65 x 1/6	78
50	40	0 / 1	0 / 1,6	0 / 2,5	0 / 4	0 / 6	Rd78 x 1/6
		0 / 10	0 / 16	0 / 25	0 / 40		

### ATTACCO MASCHIO / MALE THREAD

DN	PN	DIMENSIONI / DIMENSION (mm)	
		Campo scala / Range [bar]	F
38	40	0 / 4 - 0 / 6 - 0 / 10 - 0 / 16 - 0 / 25	Rd60 x 1/6
		0 / 40	
51	40	0 / 2,5 - 0 / 4 - 0 / 6 - 0 / 10 - 0 / 16	Rd70 x 1/6
		0 / 25 - 0 / 40	